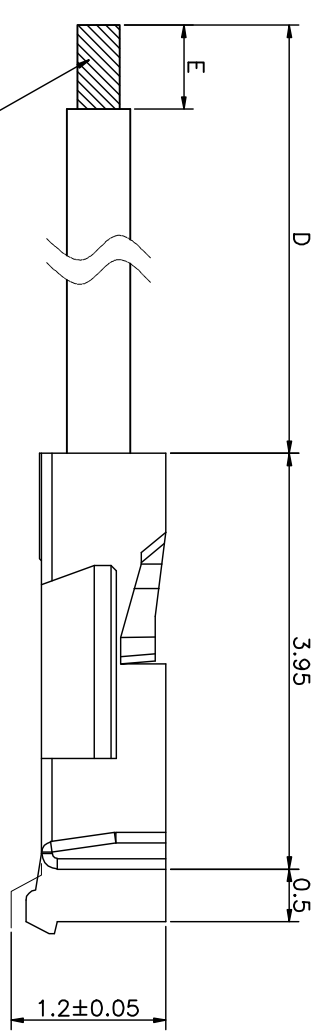
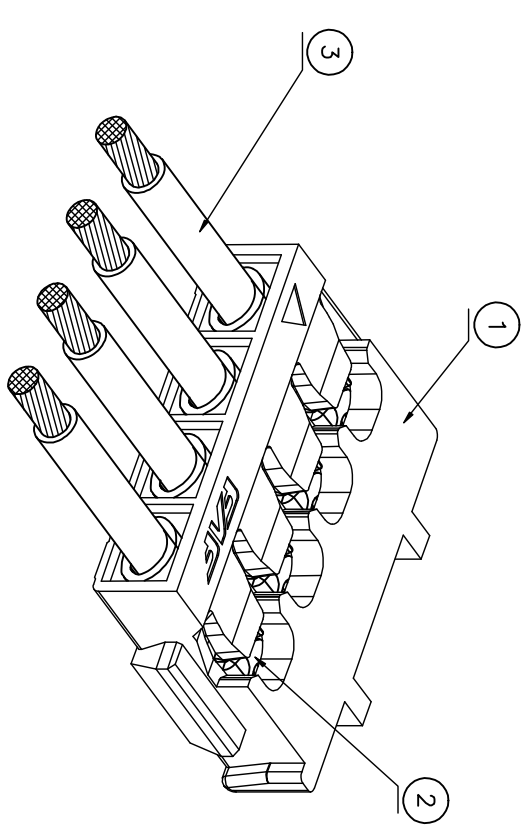
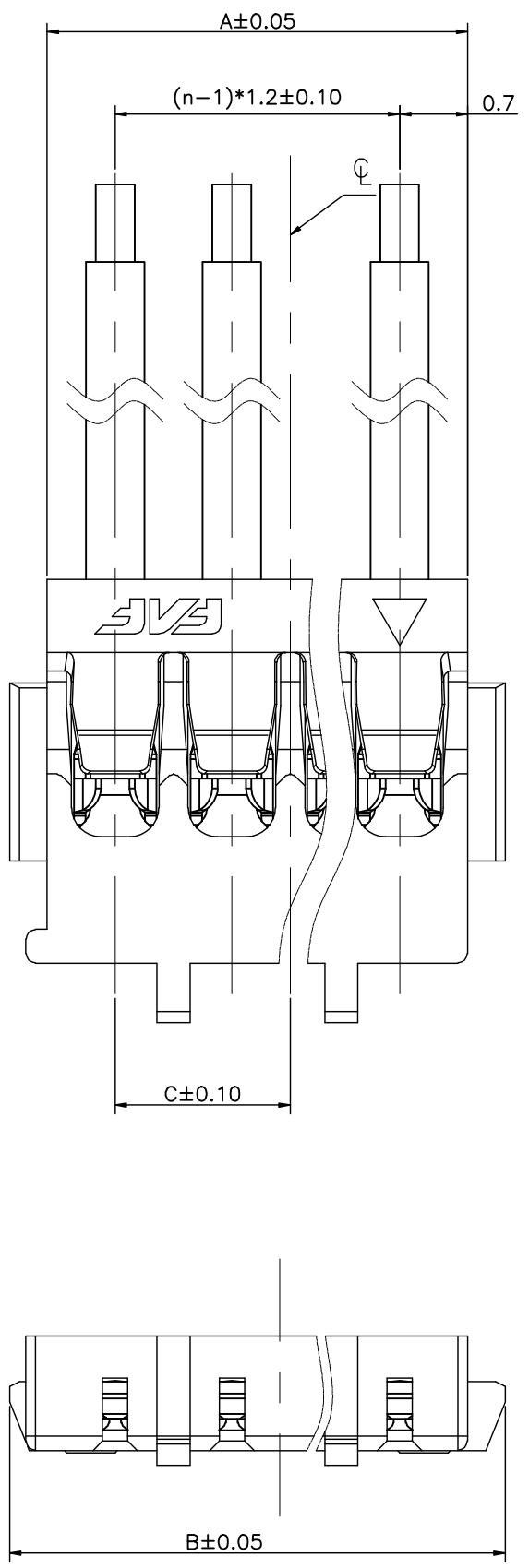


REV	ECN NO	DESCRIPTION	DATE	APPD
X1		INITIAL RELEASE	2012.12.24	BILL
X2		CHANGE 9.103A2 CABLE LENGTH	2013.01.26	BILL
X3		ADD 9.103A5,9.103A6 ADD 7PIN&8PIN	2013.03.11	BILL



- NOTES:
- ELECTRICAL CHARACTERISTICS:
 - CONTACT CURRENT RATING: 2.5A MAX.
 - CONTACT RESISTANCE: 10 mOHMS MAX.
 - INSULATION RESISTANCE: INITIAL:100 MOHMS MIN. AFTER TEST: 100 MOHMS MIN.
 - MECHANICAL CHARACTERISTICS:
 - MATING FORCE: 24N MAX.
 - UNMATING FORCE: 2.5N MIN.
 - DURABILITY : 20 CYCLES.
 - CRIMP TENSILE STRENGTH :15N Min.
 - CONTACT RETENTION FOREC :10N Min.
 - ENVIRONMENT CHARACTERISTICS:
 - OPERATING TEMPERATURE: -25°C~85°C
 - P/N: 9.103A*-***-5R0

- 003:3 PIN
 - 004:4 PIN
 - 005:5 PIN
 - 006:6 PIN
 - 007:7 PIN
 - 008:8 PIN
- CABLE LENGTH
SEE TABLE

ITEM	DESCRIPTION	Q'TY	MATERIAL	FINISH
1	HOUSING	1	THERMOPLASTIC	GRAY COLOR,UL94 V-0
2	SIGNAL CONTACT	4	COPPER ALLOY	NICKEL PLATING OVERALL Au PLATING AT CONTACT AREA
3	CABLE	4	TIN-PLATED ANNEALED COPPER WIRE AWG #28 TO #30	

ITEM	DESCRIPTION	Q'TY	MATERIAL	FINISH	DRN	DATE	SHEET	SCALE	REV
1	HOUSING	1	THERMOPLASTIC	GRAY COLOR,UL94 V-0	TED	2013.03.11	1/2	1:1	X3
2	SIGNAL CONTACT	4	COPPER ALLOY	NICKEL PLATING OVERALL Au PLATING AT CONTACT AREA	ANDREW	2013.03.11	1/2	1:1	X3
3	CABLE	4	TIN-PLATED ANNEALED COPPER WIRE AWG #28 TO #30		BILL	2013.03.11	1/2	1:1	X3

ITEM	DESCRIPTION	Q'TY	MATERIAL	FINISH	DRN	DATE	SHEET	SCALE	REV
4PIN		5.00	5.77	1.80					
3PIN		3.80	4.57	1.20					
8PIN		9.80	10.57	4.20					
7PIN		8.60	9.37	3.60					
6PIN		7.40	8.17	3.00					
5PIN		6.20	6.97	2.40					
4PIN		5.00	5.77	1.80					
3PIN		3.80	4.57	1.20					

EXTEND	USE	ITEM	DESCRIPTION	Q'TY	MATERIAL	FINISH	DRN	DATE	SHEET	SCALE	REV
WTB	1.43H CONNECTOR	9.103A1									
		9.103A2									
		9.103A3									
		9.103A4									
		9.103A5									
		9.103A6									
		9.103A7									
		9.103A8									

GENERAL TOLERANCE	ANGLES	QTY	FINISHED	DRN	DATE	SHEET	SCALE	REV
±0.30	±3°							
±0.25	±2°							
±0.20	±1°							
±0.10								

TITLE	APPD	DATE	DWG NO
WTB 1.43H PLUG Cable Assembly Customer Drawing	BILL	2013.03.11	C-9.103A1
	ANDREW	2013.03.11	
	TED	2013.03.11	

GENERAL TOLERANCE	ANGLES	QTY	FINISHED	DRN	DATE	SHEET	SCALE	REV
±0.30	±3°							
±0.25	±2°							
±0.20	±1°							
±0.10								

TITLE	APPD	DATE	DWG NO
WTB 1.43H PLUG Cable Assembly Customer Drawing	BILL	2013.03.11	C-9.103A1
	ANDREW	2013.03.11	
	TED	2013.03.11	

GENERAL TOLERANCE	ANGLES	QTY	FINISHED	DRN	DATE	SHEET	SCALE	REV
±0.30	±3°							
±0.25	±2°							
±0.20	±1°							
±0.10								

TITLE	APPD	DATE	DWG NO
WTB 1.43H PLUG Cable Assembly Customer Drawing	BILL	2013.03.11	C-9.103A1
	ANDREW	2013.03.11	
	TED	2013.03.11	

GENERAL TOLERANCE	ANGLES	QTY	FINISHED	DRN	DATE	SHEET	SCALE	REV
±0.30	±3°							
±0.25	±2°							
±0.20	±1°							
±0.10								

TITLE	APPD	DATE	DWG NO
WTB 1.43H PLUG Cable Assembly Customer Drawing	BILL	2013.03.11	C-9.103A1
	ANDREW	2013.03.11	
	TED	2013.03.11	

GENERAL TOLERANCE	ANGLES	QTY	FINISHED	DRN	DATE	SHEET	SCALE	REV
±0.30	±3°							
±0.25	±2°							
±0.20	±1°							
±0.10								

TITLE	APPD	DATE	DWG NO
WTB 1.43H PLUG Cable Assembly Customer Drawing	BILL	2013.03.11	C-9.103A1
	ANDREW	2013.03.11	
	TED	2013.03.11	

GENERAL TOLERANCE	ANGLES	QTY	FINISHED	DRN	DATE	SHEET	SCALE	REV
±0.30	±3°							
±0.25	±2°							
±0.20	±1°							
±0.10								

TITLE	APPD	DATE	DWG NO
WTB 1.43H PLUG Cable Assembly Customer Drawing	BILL	2013.03.11	C-9.103A1
	ANDREW	2013.03.11	
	TED	2013.03.11	

GENERAL TOLERANCE	ANGLES	QTY	FINISHED	DRN	DATE	SHEET	SCALE	REV
±0.30	±3°							
±0.25	±2°							
±0.20	±1°							
±0.10								

TITLE	APPD	DATE	DWG NO
WTB 1.43H PLUG Cable Assembly Customer Drawing	BILL	2013.03.11	C-9.103A1
	ANDREW	2013.03.11	
	TED	2013.03.11	

GENERAL TOLERANCE	ANGLES	QTY	FINISHED	DRN	DATE	SHEET	SCALE	REV
±0.30	±3°							
±0.25	±2°							
±0.20	±1°							
±0.10								

TITLE	APPD	DATE	DWG NO
WTB 1.43H PLUG Cable Assembly Customer Drawing	BILL	2013.03.11	C-9.103A1
	ANDREW	2013.03.11	
	TED	2013.03.11	

GENERAL TOLERANCE	ANGLES	QTY	FINISHED	DRN	DATE	SHEET	SCALE	REV
±0.30	±3°							
±0.25	±2°							
±0.20	±1°							
±0.10								

TITLE	APPD	DATE	DWG NO
WTB 1.43H PLUG Cable Assembly Customer Drawing	BILL	2013.03.11	C-9.103A1
	ANDREW	2013.03.11	
	TED	2013.03.11	

GENERAL TOLERANCE	ANGLES	QTY	FINISHED	DRN	DATE	SHEET	SCALE	REV
±0.30	±3°							
±0.25	±2°							
±0.20	±1°							
±0.10								

TITLE	APPD	DATE	DWG NO
WTB 1.43H PLUG Cable Assembly Customer Drawing	BILL	2013.03.11	C-9.103A1
	ANDREW	2013.03.11	
	TED	2013.03.11	

GENERAL TOLERANCE	ANGLES	QTY	FINISHED	DRN	DATE	SHEET	SCALE	REV
±0.30	±3°							
±0.25	±2°							
±0.20	±1°							
±0.10								

TITLE	APPD	DATE	DWG NO
WTB 1.43H PLUG Cable Assembly Customer Drawing	BILL	2013.03.11	C-9.103A1
	ANDREW	2013.03.11	
	TED	2013.03.11	

GENERAL TOLERANCE	ANGLES	QTY	FINISHED	DRN	DATE	SHEET	SCALE	REV
±0.30	±3°							
±0.25	±2°							
±0.20	±1°							
±0.10								

TITLE	APPD	DATE	DWG NO
WTB 1.43H PLUG Cable Assembly Customer Drawing	BILL	2013.03.11	C-9.103A1
	ANDREW	2013.03.11	
	TED	2013.03.11	

GENERAL TOLERANCE	ANGLES	QTY	FINISHED	DRN	DATE	SHEET	SCALE	REV
±0.30	±3°							
±0.25	±2°							
±0.20	±1°							
±0.10								

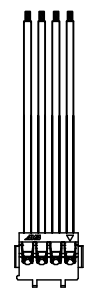
TITLE	APPD	DATE	DWG NO
WTB 1.43H PLUG Cable Assembly Customer Drawing	BILL	2013.03.11	C-9.103A1
	ANDREW	2013.03.11	
	TED	2013.03.11	

GENERAL TOLERANCE	ANGLES	QTY	FINISHED	DRN	DATE	SHEET	SCALE	REV
±0.30	±3°							
±0.25	±2°							
±0.20	±1°							
±0.10								

TITLE	APPD	DATE	DWG NO
WTB 1.43H PLUG Cable Assembly Customer Drawing	BILL	2013.03.11	C-9.103A1
	ANDREW	2013.03.11	
	TED	2013.03.11	

GENERAL TOLERANCE	ANGLES	QTY	FINISHED	DRN	DATE	SHEET	SCALE	REV
±0.30	±3°							
±0.25	±2°							
±0.20	±1°							
±0.10								

TITLE	APPD	DATE	DWG NO
WTB 1.43H PLUG Cable Assembly Customer Drawing	BILL	2013.03.11	C-9.103A1
	ANDREW	2013.03.11	
	TED</		



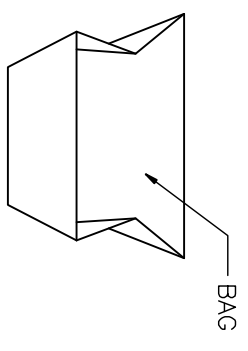
400PCS/BAG

(CODE OF PN) _____
 (CODE OF QTY) _____
 LOT NO.: _____
 PART NO.: _____
 CODE NO.: _____
 QTY: _____ PCS
 Kunsan Jishua electronics CO.,LTD
 MADE IN CHINA

(CODE OF PN) _____
 (CODE OF QTY) _____
 PART NO.: _____
 CODE NO.: _____
 QTY: _____ PCS
 Kunsan Jishua electronics CO.,LTD
 MADE IN CHINA

BOM:

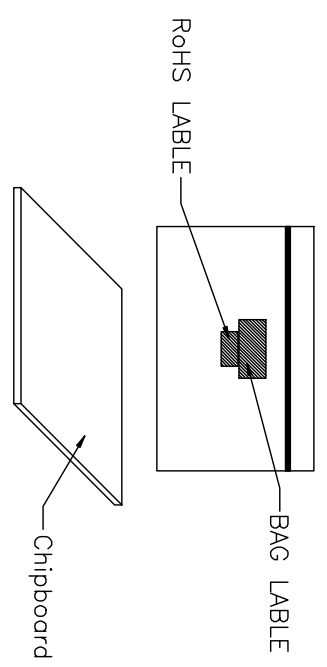
ITEM	P/N	SPEC.	Q'TY
WTB PLUG IN WITH CABLE	9.103A0-004-5R0		8000PCS
CARTON	U.003CZ-036-001	236*157*171	1PCS
CARTON LABEL	U.000LW-001-001		1PCS
BAG	U.000BZ-002-004	170*250	4PCS
BAG LABEL	U.000LW-000-001		4PCS
ROHS LABEL			1PCS
UL LABEL			1PCS



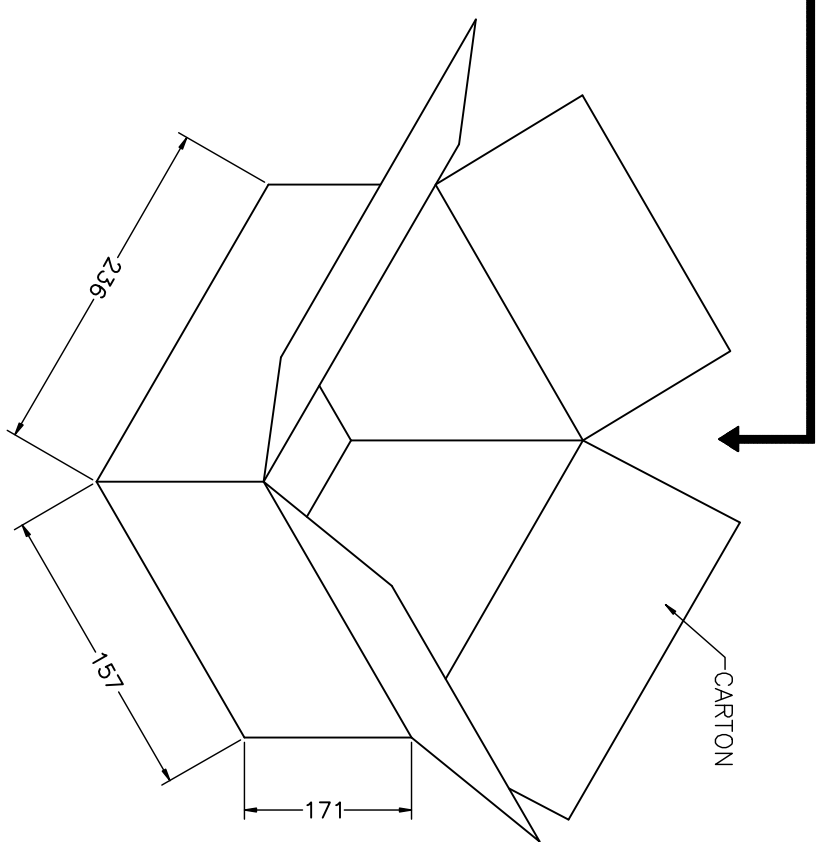
BAG

10 BAGS/LAYER

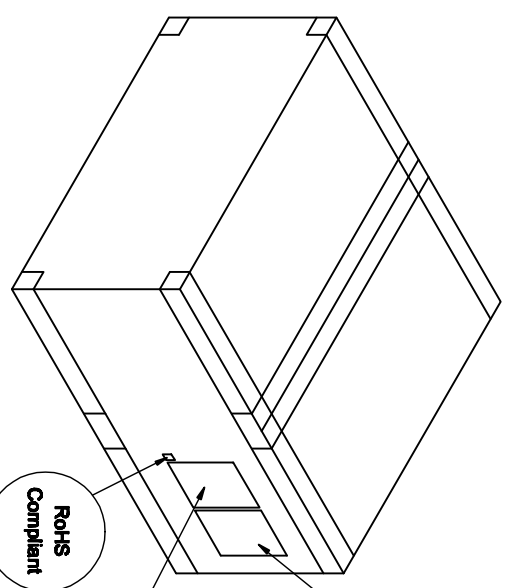
8000PCS/CARTON



Chipboard



CARTON



CARTON LABEL

UL LABEL

RoHS Compliant

RoHS LABEL

EXTEND	USE	TITLE		DWG NO	
WTB 1.43H CONNECTOR		WTB 1.43H PLUG Cable Assembly Customer Drawing		C-9.103A1	
GENERAL TOLERANCE	ANGLES	UNIT	MATERIAL	APPD	CHD
±0.30	±3°	mm		BILL	ANDREW
±0.25	.0 ±2°		QTY	2019.09.11	2019.09.11
.00 ±0.20	.00 ±1°	FINISHED	DRN	TED	2019.09.11
.000 ±0.10					
		P/N:		SEE TABLE	
		SHEET		SCALE	
		2/2		1:1	
		REV		X3	



C-9.103A1

SEE TABLE

SCALE 1:1

REV X3